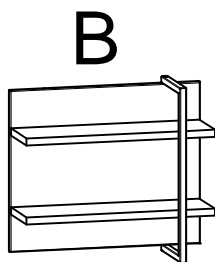
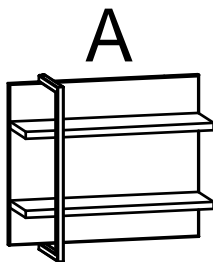
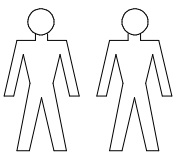
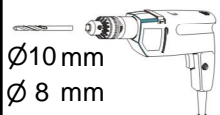
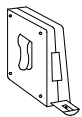
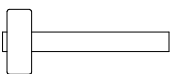
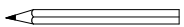
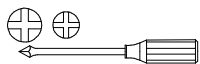
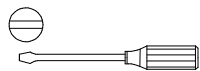


A**S507-P/5/6****10H9--42**

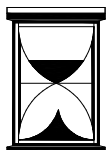
2 / 5



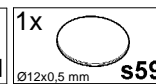
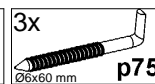
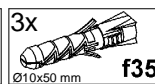
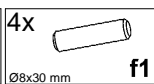
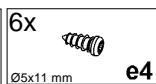
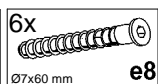
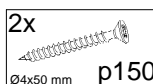
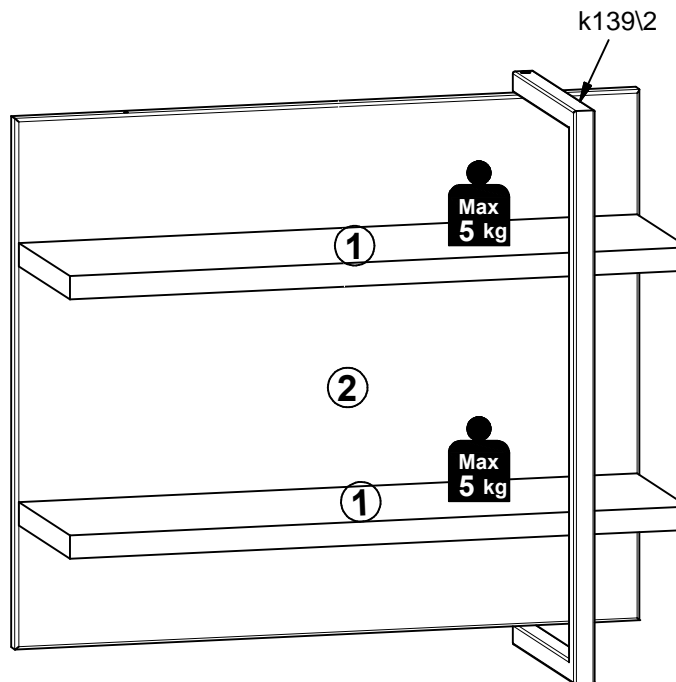
A	B	C1	C2	C3	D
1	S507-3017	594	183	22	1/1
2	S507-4507	500	600	16	1/1
3	k139\2				1/1



∅10 mm
∅ 8 mm



30min



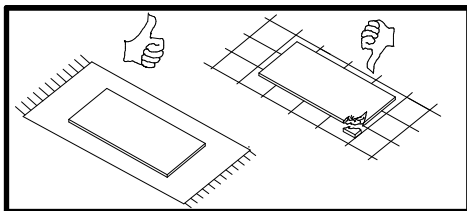
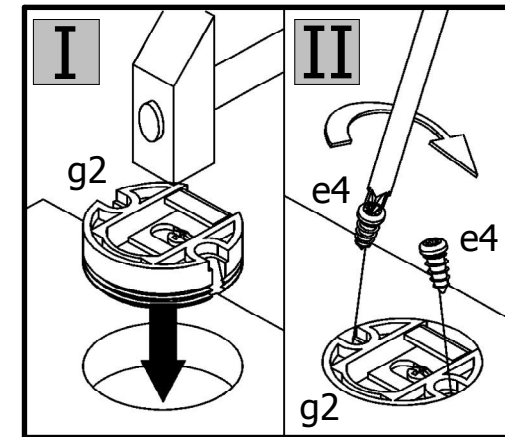
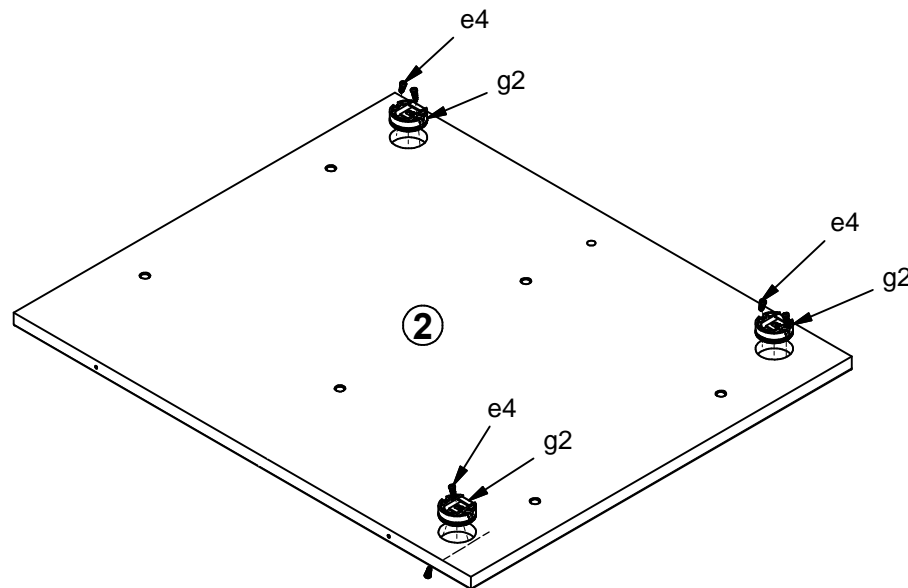
A

S507-P/5/6

10H9--42

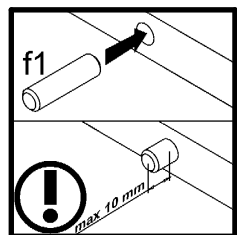
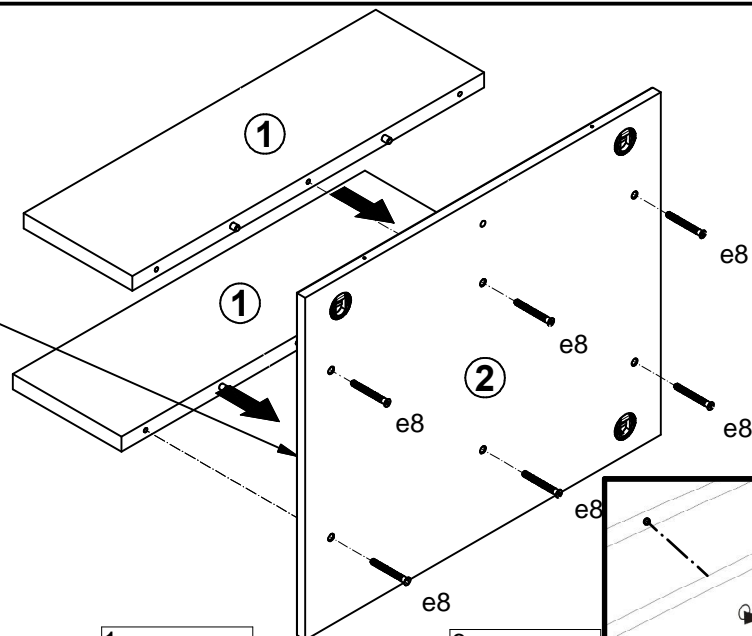
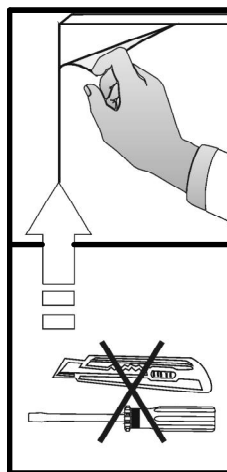
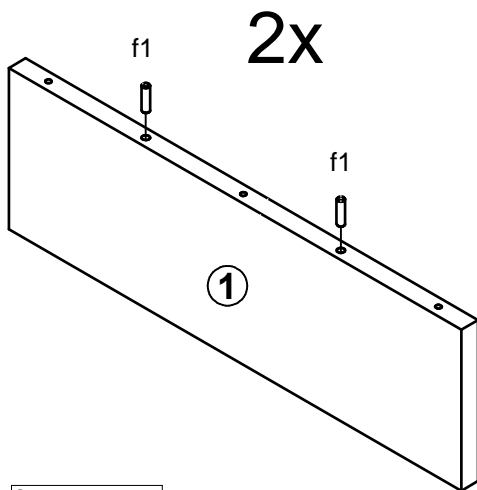
3 / 5

1 §2



- 3x g2
- 6x e4

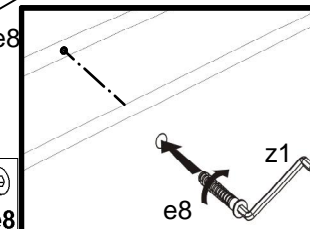
2 §6



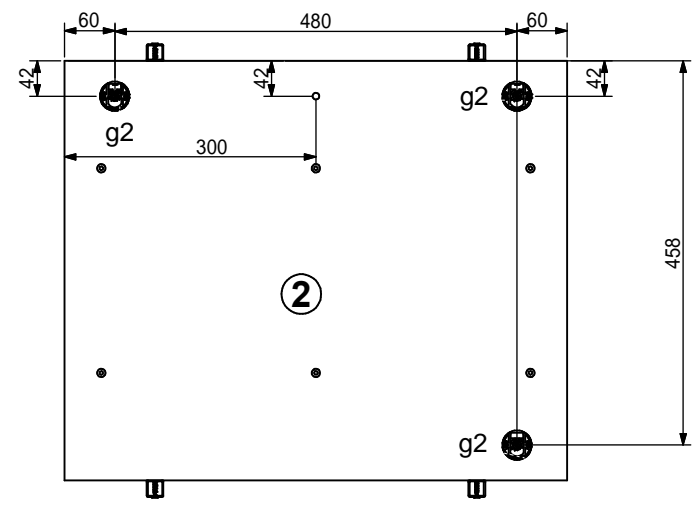
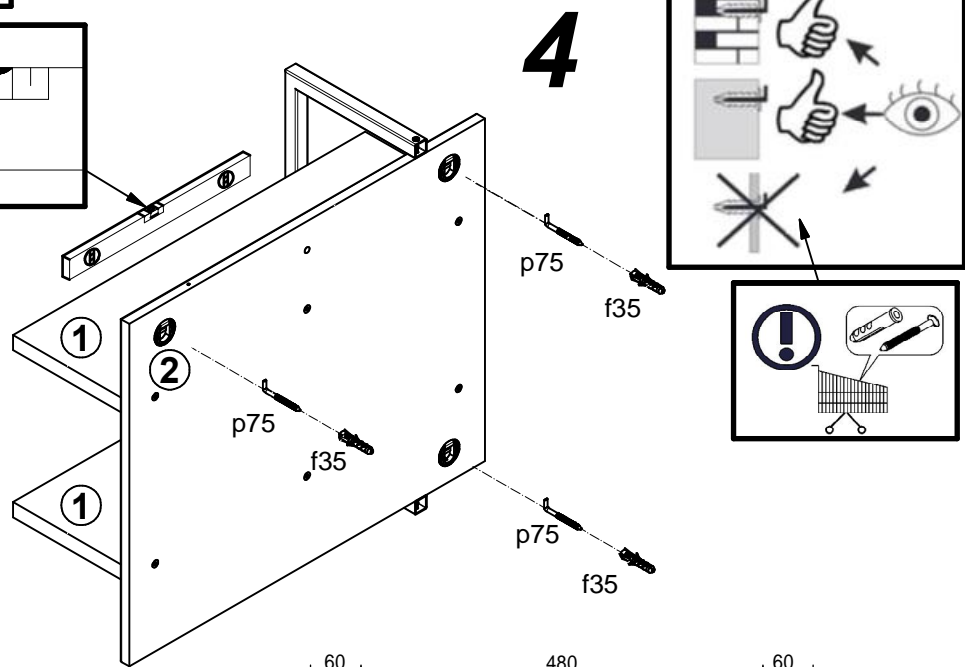
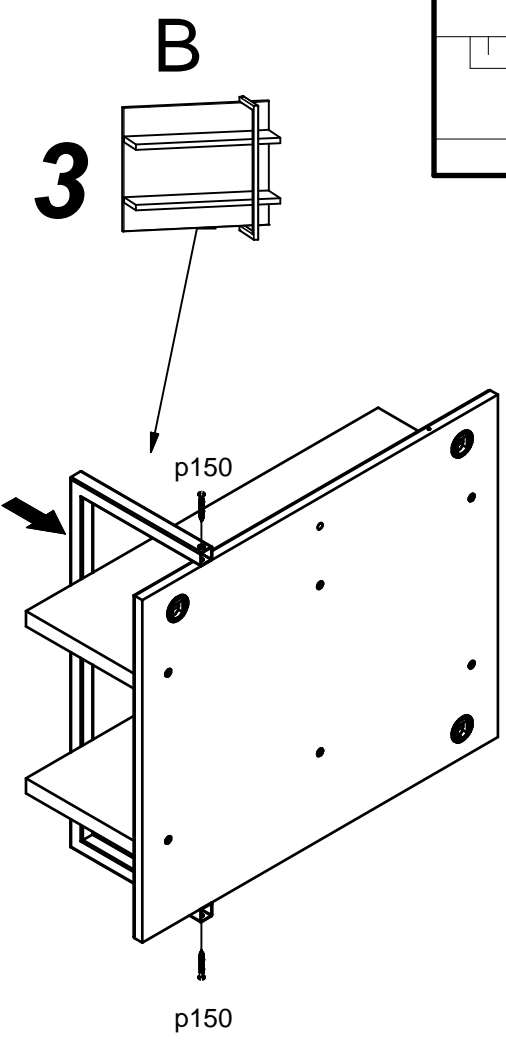
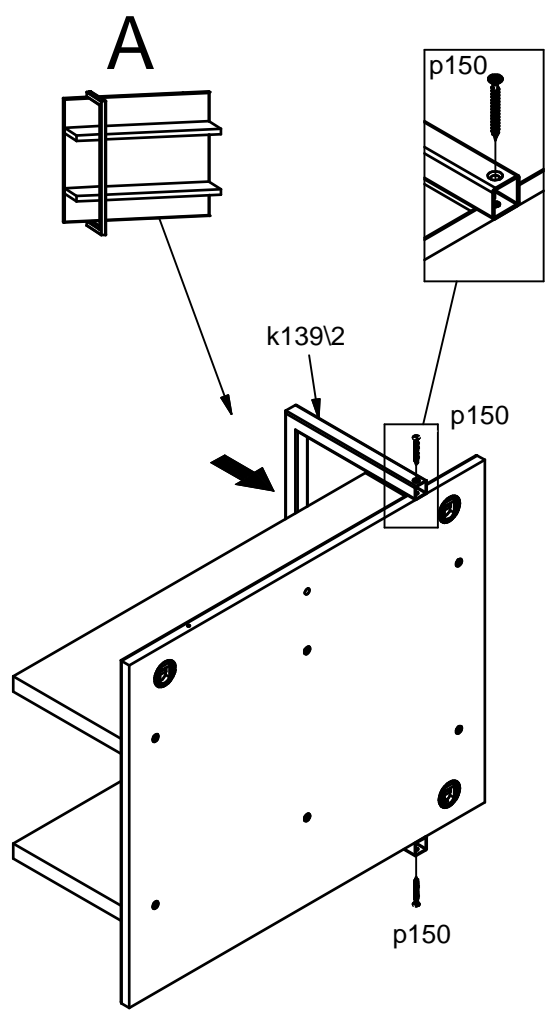
- 2x f1

- 1x z1

- 6x e8



Warning icons: $\$10$, $\$6$, $\$4$.
 Tool specifications: $\phi 10$ mm, f35, p75.



5

